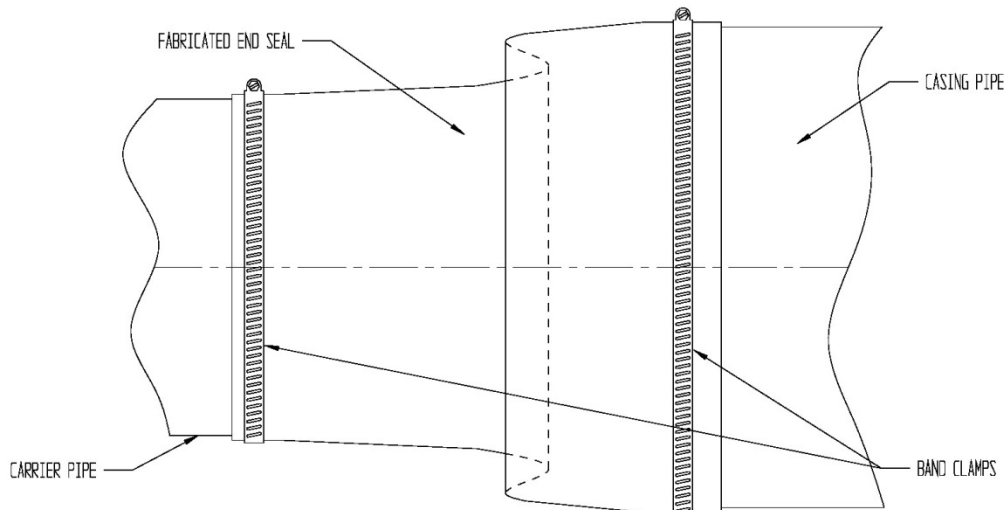


# MALONEY TECHNICAL PRODUCTS

## FABRICATED CASING END SEALS



Maloney fabricated end seals are available in three styles:

- Pull-On End Seals
- Wrap Around End Seals
- Zipper End Seals

Fabricated end seals are useful for unusual carrier/casing size combinations for which Maloney Molded Casing End Seals are not available. The Wrap Around and Zipper End Seals are also used when the pipe system is already in place and a solid boot cannot be installed.

All styles of fabricated end seals are made from 1/8" thick sheets of durable oil resistant Neoprene® rubber. The material is strong, weather resistant and provides a flexible boot between the carrier and the casing pipe.

The Pull-On End Seal is installed in a manner similar to the Molded Casing End Seal as it must be in place before the tie weld is made. The Wrap Around End Seal and the Zipper End Seal may be installed as replacement end seals when reconditioning an older system, or when the seals must be applied after the tie weld is made. All three styles are secured in place with 1/2" wide Stainless Steel Band Clamps. During installation, and before the second clamp is secured, a telescopic fold should be made in the body of the seal to assure adequate movement range between the carrier and casing pipe.

The Wrap Around seal has an adhesive layer used to secure the overlapping fold of the seal, while a Zipper seal has a "wet-suit" style zipper bonded to the edges of the rubber cone.

**IMPORTANT: END SEALS ARE NOT PRESSURE SEALS.**

---

1300 East Berry Street  
Fort Worth, TX 76119  
817-923-3344