

MALONEY TECHNICAL PRODUCTS

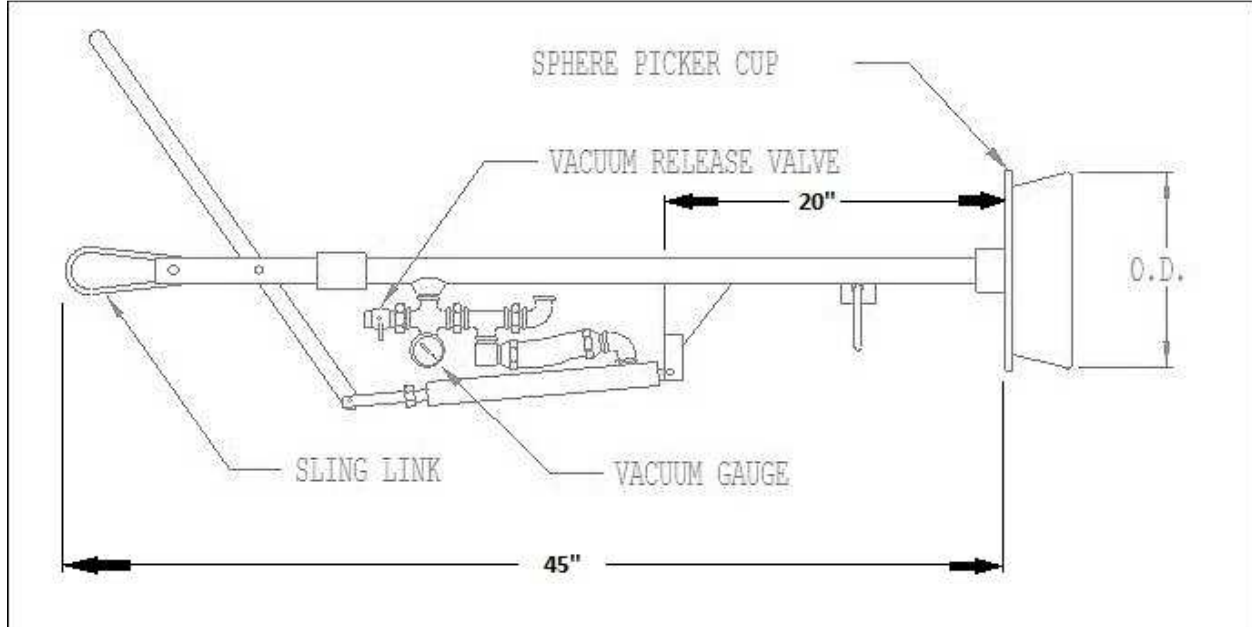
SPHERE PICKER™

The Maloney Sphere Picker is designed to allow spheres from 6" through 36" in diameter to be removed from locations which would be difficult to access with slings, nets or other lifting devices. The Sphere Picker can also be used to lift and place spheres on loading racks or storage racks. As with all lifting devices, care should be taken to prevent personnel from being placed in dangerous positions under a suspended load.



MALONEY TECHNICAL PRODUCTS

SPHERE PICKER™



MALONEY SPHERE PICKER OPERATING INSTRUCTIONS

- 1) Check that the Sphere Picker Assembly is in good condition. Pay particular attention to the condition of the hose and picker cup to ensure that the rubber shows no signs of cracks or damage which could result in the sudden failure of the vacuum seal.
- 2) Set the vacuum release valve in the closed position.
- 3) Check that the Sphere Picker Cup is of the appropriate size for the sphere to be lifted (see Table 1).
- 4) Seat cup on the sphere. Take care to make contact on a smooth surface.
- 5) Using the pump, pull a vacuum of at least 20" minimum on the gauge.
- 6) Lift Sphere Picker Assembly by the sling link provided. DO NOT ATTEMPT TO LIFT HORIZONTALLY.
- 7) To release the sphere, open the vacuum release valve.

SPHERE PICKER CUP SIZES (Table 1)		
MALONEY P/N	CUP O.D.	SPHERE RANGES
+202-06-12PICCUP	6-11/16"	6" thru 12"
+202-14-24PICCUP	10-5/16"	14" thru 24"
+202-26-36PICCUP	12-7/8"	26" thru 36"